

Vandal-proof Combination Units SLWN 08P, 08L, 08ZP, 08ZL



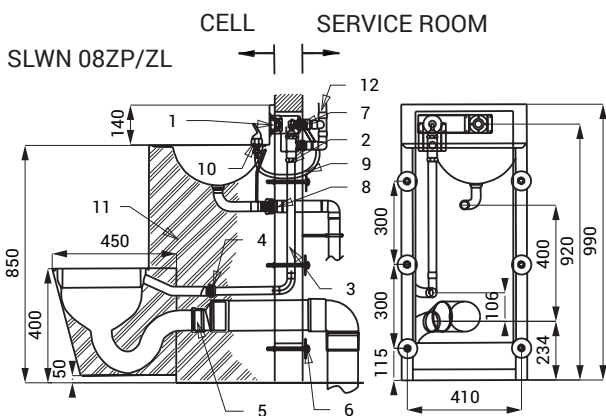
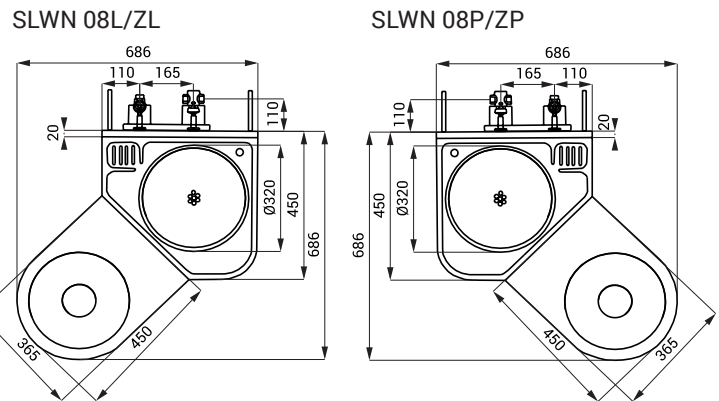
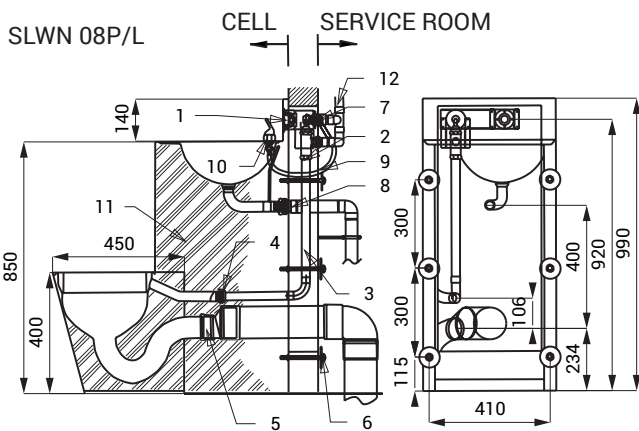
SLWN 08P

Characteristics



- vandal-proof
- suitable for prison
- corner combination with toilet, washbasin, washbasin spout and a toilet paper hole
- push button for washbasin spout
- push button for toilet flushing
- SLWN 08P - floor standing toilet on the right side
- SLWN 08L - floor standing toilet on the left side
- SLWN 08ZP - hanging toilet on the right side
- SLWN 08ZL - hanging toilet on the left side
- filled with expanded polyurethane (to avoid dents and typical metal noise)
- rear assembling by screws (M10, length 190 mm), from the service room
- material AISI - 304
- brushed finish

Dimensions



- 1 - push buttons for toilet flushing and washbasin spout
- 2 - toilet flushing valve - male thread G 3/4"
- 3 - connecting pipe between toilet push button valve to the toilet (is not included)
- 4 - connection to the toilet (is not included)
- 5 - waste outlet connection (Ø 100 mm) from toilet (is not included)
- 6 - M10 screw (length 190 mm) + anchor + nut (6 pcs.)
- 7 - washbasin valve - male thread G 1/2"; female thread G 1/2"
- 8 - waste outlet pipe from the washbasin (is not included)
- 9 - connecting hose between push button and washbasin spout (is not included)
- 10 - washbasin spout
- 11 - filled with expanded polyurethane
- 12 - water inlet (is not included)

Supply Specification

- SLWN 08P - Supply No. 94082 stainless steel combination unit with toilet and washbasin, push button (2 pcs.), washbasin spout, screws M10 (6 pcs.)
- SLWN 08L - Supply No. 94081

Recommended Accessories

- SLA 25 - Supply No. 06250 set for connection between push button valve and toilet and between push button valve and washbasin spout