

Stainless Steel Washbasins SLUN 28A, SLUN 32, SLUN 63

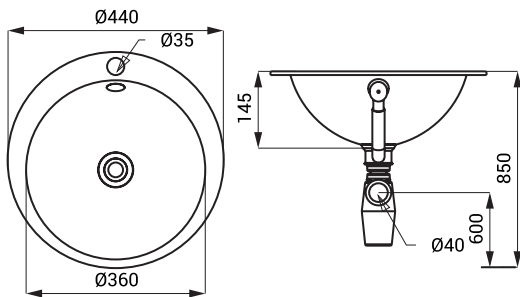


SLUN 28A

Characteristics

- stainless steel recessed round washbasin for surface mounting
- with a tap hole
- overflow set
- material AISI - 304
- polished finish

Dimensions



Supply Specification

SLUN 28A - Supply No. 73282 stainless steel washbasin, overflow set, siphon

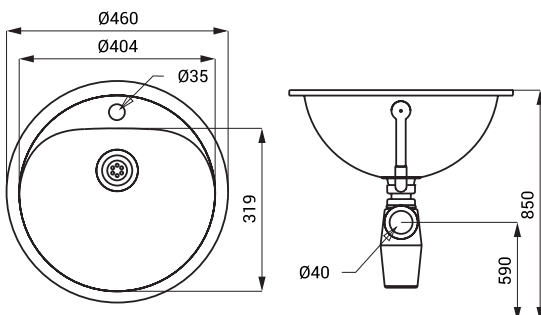


SLUN 32

Characteristics

- stainless steel round washbasin for surface mounting
- with a tap hole
- overflow set
- material AISI - 304
- polished finish (SLUN 32)
- brushed finish (SLUN 32X)

Dimensions



Supply Specification

SLUN 32 - Supply No. 93320 stainless steel washbasin, overflow set, siphon
SLUN 32X - Supply No. 93328