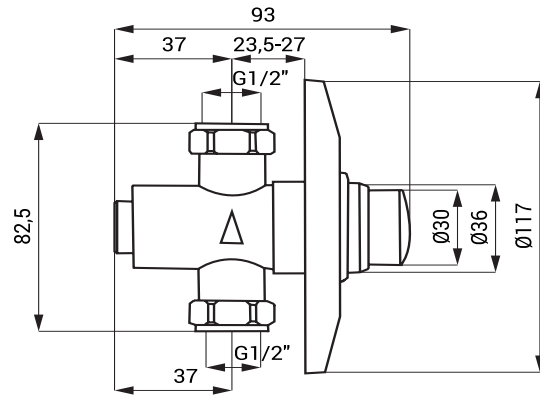




SLT 131S

09022

Built-in self closing shower tap



- valve opening time
- water inlet
- recommended flow pressure

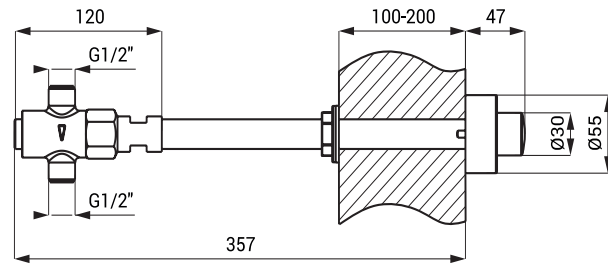
15 - 25 s (+/- 3 s)
male thread G 1/2"
0,1 - 0,5 MPa



SLT 138S

09128

Self closing shower tap with extension



- suitable for a prison
- valve opening time
- water inlet
- recommended flow pressure

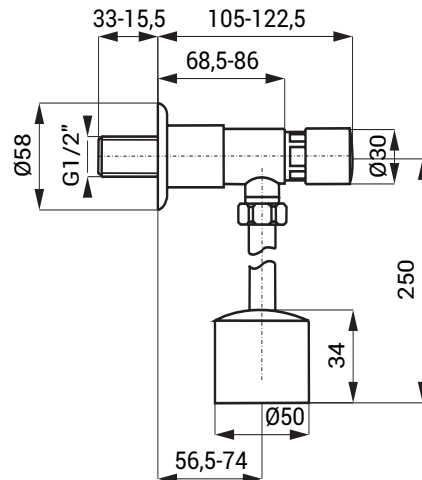
15 - 25 s (+/- 3 s)
male thread G 1/2"
0,1 - 0,5 MPa



SLT 150P

09029

Wall-mounted self closing tap for urinal with upper water inlet



- valve opening time
- water inlet
- recommended flow pressure

4 - 6 s (+/- 1 s)
male thread G 1/2"
0,1 - 0,5 MPa