

# Automatic Thermostatic Shower Control SLS 03S

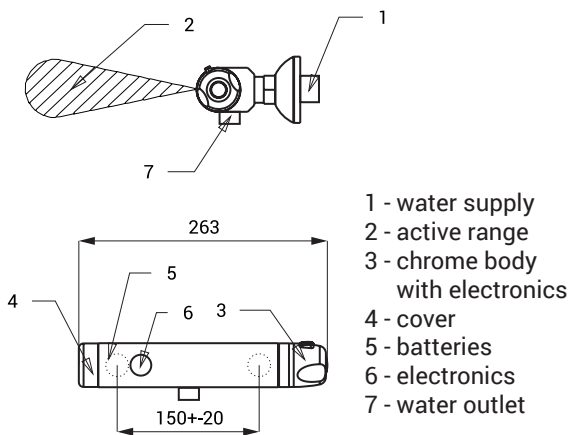


## Characteristics



- **hygienic flush**
- is destined for cold and hot water, temperature is regulated by thermostatic mixer
- with bottom outlet
- safety fuse against scalding
- water is flowing as long as an user is in the active range
- water stops flowing after the user leaves the active range sensor after adjustable time delay (can be set in range 0,25 - 7,75 s), standard 3 s
- function of automatic water stop after 5 minut of continuous flow
- monitoring of battery capacity (for models with index B)
- START/STOP program
- parameter adjustment using by the remote control SLD 03

## Installation Drawing



## Technical Specification

<b>Water inlet spacing</b>	150 mm
<b>Operating voltage</b>	
▪ SLS 03S	24 V DC
▪ SLS 03SB	9 V
<b>Power input</b>	
▪ operating by 24 V DC	3 W
▪ operating by 9 V	2 W
<b>Battery life</b>	
▪ lithium 9 V, type U9VL	approx. 2 years (100 uses per day)
<b>Active range</b>	
▪ standard	0,6 - 0,75 m
▪ START/STOP program	0,05 - 0,15 m
<b>Recommended flow pressure</b>	0,1 - 0,6 MPa
<b>Water inlet</b>	male thread G 1/2"
<b>Water outlet</b>	male thread G 1/2"

## Supply Specification

<b>SLS 03S</b>	- Supply No. 02038	shower control with electronics, thermostat and electromagnetic valve, rosette (2 pcs.),
<b>SLS 03SB</b>	- Supply No. 22031	chrome cover (2 pcs.), filter (2 pcs.), Alley key, lithium battery SLA 09 (SLS 03SB)

## Recommended Accessories

<b>SLZ 01Y</b>	- Supply No. 05012	power supply 24 V DC for operating of max. 10 pcs. of showers
<b>SLZ 01Z</b>	- Supply No. 05011	power supply 24 V DC for operating of max. 20 pcs. of showers
<b>SLZ 04Y</b>	- Supply No. 05042	power supply 24 V DC for DIN rail, for operating of max. 10 pcs. of showers
<b>SLZ 04Z</b>	- Supply No. 05041	power supply 24 V DC for DIN rail, for operating of max. 20 pcs. of showers
<b>SLZ 04X</b>	- Supply No. 10049	power supply 24 V DC for DIN rail, for operating of max. 33 pcs. of showers
<b>SLD 03</b>	- Supply No. 07030	remote control for an adjustment of parameters
<b>SLA 09</b>	- Supply No. 06090	lithium battery 9 V/1200 mAh, type U9VL (for models with index B)