

ARTIKAL
Item

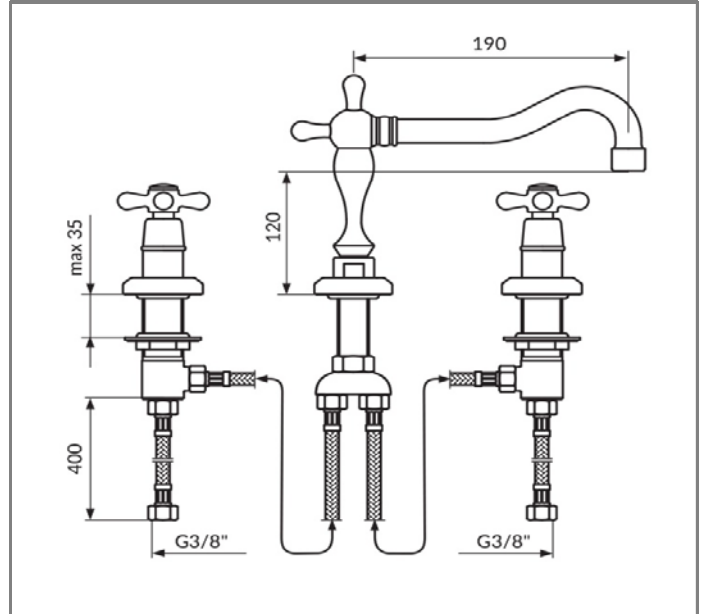
N20101

Baterija za lavabo tri otvora, Roma izliv
Basin mixer 3 holes, Roma spout

SLIKA PROIZVODA Product picture



TEHNIČKA SKICA Technical draft



TEHNIČKI PODACI

Dvoručna baterija
Montiranje na tri otvora
Klasa protoka Z - 7 lit/min
NEOPERL® PERLATOR® HONEYCOMB
Flühs® LIFETIME keramički gornji delovi
Metalni rukohvat
Hromirane rozete
ROMA, rustični izliv
Klasa bučnosti I

TECHNICAL DETAILS

Two handle mixer
Three hole mounted
Flow class Z - 7 lit/min
Aerator NEOPERL® PERLATOR® HONEYCOMB
Flühs® LIFETIME ceramic head parts
Metal handle
Chromed rossetes
Rustical ROMA spout
Noise level I

RADNI USLOVI

Maksimalni radni pritisak: 5 bar
Preporučeni radni pritisak: 3 bar
Minimalni radni pritisak: 1 bar
Maksimalna dozvoljena temperatura: 80°C
Preporučena temperatura vode: 60°C

WORKING CONDITIONS

Max. working pressure : 5 bar
Suggested working pressure : 3 bar
Min. working pressure : 1 bar
Max. working temperature : 80°C
Suggested max. water temperature : 60°C

www.rosan.rs

Srbija, 24420 Kanjiža, Dušana Popovića 10.

tel.+381 24-876-744 fax +381 24-876-756, info@rosan.rs

NOSTALGIJA