

ARTIKAL  
Item

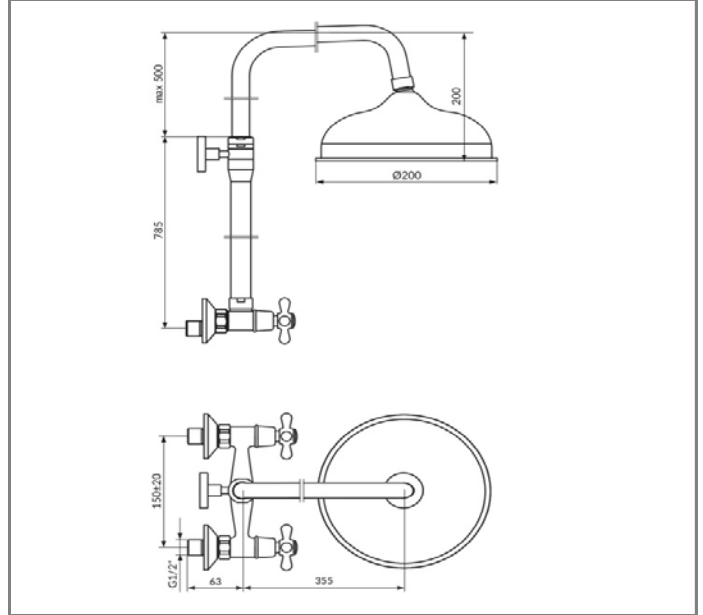
# N10252

Baterija za tuš kadu sa usponskim tušem  
Shower mixer with stand shower

## SLIKA PROIZVODA Product picture



## TEHNIČKA SKICA Technical draft



## TEHNIČKI PODACI

Dvoručna baterija  
Zidna montaža  
Regulacija protoka do 5 lit/min na tušu  
Flühs® LIFETIME keramički gornji delovi  
Metalni rukohvat  
Podesivi usponski tuš  
Zglobna tuš ruža metalna D. 200mm  
Heavy Duty ekscentar kolena  
Hromirane rozete  
Klasa bučnosti I

## TECHNICAL DETAILS

Two handle mixer  
Wall mounted  
Flow regulation on shower up to 5 lit/min  
Flühs® LIFETIME ceramic head parts  
Metal handle  
Adjustable height stand pipe shower  
Metal Shower head D. 200mm  
Heavy Duty eccentric connectors  
Chromed rossete  
Noise level I

## RADNI USLOVI

Maksimalni radni pritisak: 5 bar  
Preporučeni radni pritisak: 3 bar  
Minimalni radni pritisak: 1 bar  
Maksimalna dozvoljena temperatura: 80°C  
Preporučena temperatura vode: 60°C

## WORKING CONDITIONS

Max. working pressure : 5 bar  
Suggested working pressure : 3 bar  
Min. working pressure : 1 bar  
Max. working temperature : 80°C  
Suggested max. water temperature : 60°C

[www.rosan.rs](http://www.rosan.rs)

Srbija, 24420 Kanjiža, Dušana Popovića 10.

tel.+381 24-876-744 fax +381 24-876-756, info@rosan.rs

# NOSTALGIJA