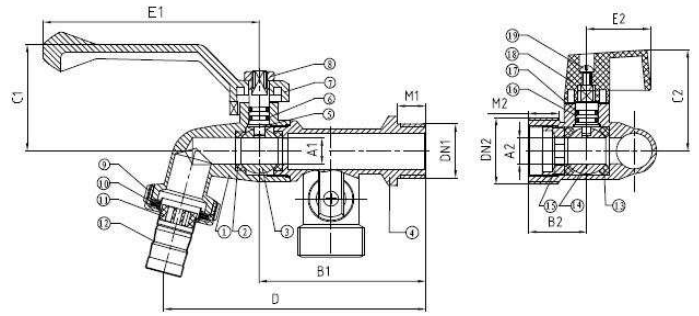


# ART.2017



## ART.2017

BRASS BALL BIBCOCK

WITH HOSE UNION

Threaded MM ISO228

Temperature: min -10°C

max +100°C

Nominal pressure max 16bar

Available : in all sizes from 1/2"x3/4"

NO	Component	Material
1	body	brass
2	Seat	PTFE
3	Ball	Brass
4	Body end	brass
5	Stem	brass
6	o-ring	NBR
7	handle	Aluminium
8	Nut	brass
9	Ring	brass
10	Rubber gasket	NBR
11	water bifurcation	Plastic
12	Hose union	stainless steel
13	o-ring	NBR
14	Ball	brass
15	Press cap	brass
16	Stem	brass
17	o-ring	NBR
18	Handle	ABS
19	Screw	Steel

DN1xDN2	1/2"x3/4"
A1/A2	10/10
B1/B2	65/22.7
C1/C2	41.5/39
D	102
E1/E2	84.5/22.7
M1/M2	11/12
PN	16
Piece/box	4
Piece/carton	24
Carton/pallet	36