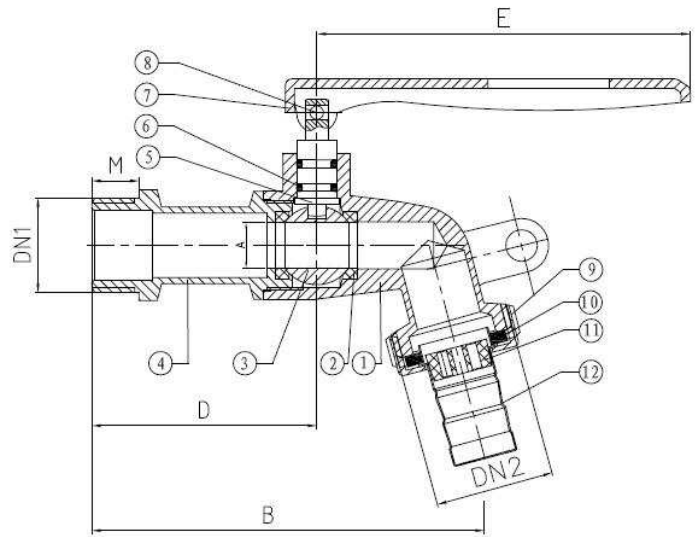


ART.2013



ART.2013

BRASS BALL LOCKBLE BIBCOCK

WITH HOSE UNION

Threaded MM ISO228/1

Temperature: min -10°C

max +100°C

Nominal pressure max 16bar

Available : 1/2"x3/4"

NO	Component	Material
1	body	brass
2	Seat	PTFE
3	Ball	Brass
4	Body end	brass
5	Stem	brass
6	O-ring	NBR
7	handle	Steel
8	Pin	brass
9	Ring	brass
10	Rubber gasket	NBR
11	water bifurcation	Plastic
12	Hose union	stainless steel

DN	1/2"x3/4"		
A	10		
B	89		
D	52		
E	82.5		
M	11.5		
PN	16		
Piece/box	7		
Piece/carton	84		
Carton/pallet	36		