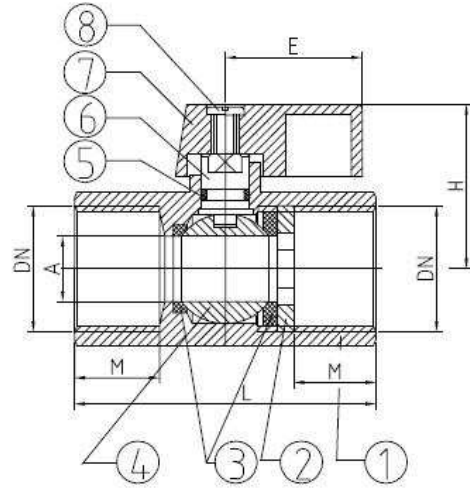


# ART.1512



## ART.1512

BRASS MINI BALL VALVE  
 Threaded FF ISO228/1  
 Temperature: min -10°C  
                   max +120°C  
 Nominal pressure : max 25bar  
 Available : in all sizes from 1/4" up to 3/4"

NO	Component	Material
1	body	brass
2	ring	brass
3	seal ring	P.T.F.E
4	ball	brass
5	O-ring	NBR
6	Stem	brass
7	handle	aluminium
8	screw	brass

DN	1/4"	3/8"	1/2"	3/4"
A	8	8	10	13.5
L	41.5	41.5	45.5	49.5
H	27.5	27.5	29	32
E	23	23	23	23
M	9	9	10.5	11
PN	25	25	25	25
Piece/Box	32	32	24	12
Piece/carton	384	384	288	144
Carton/pallet	36	36	36	36